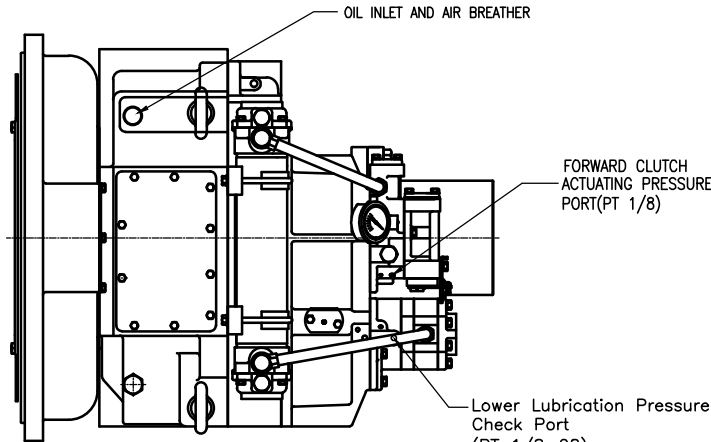
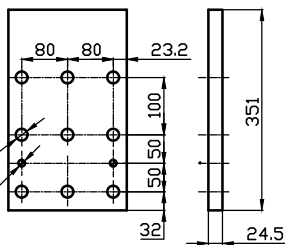
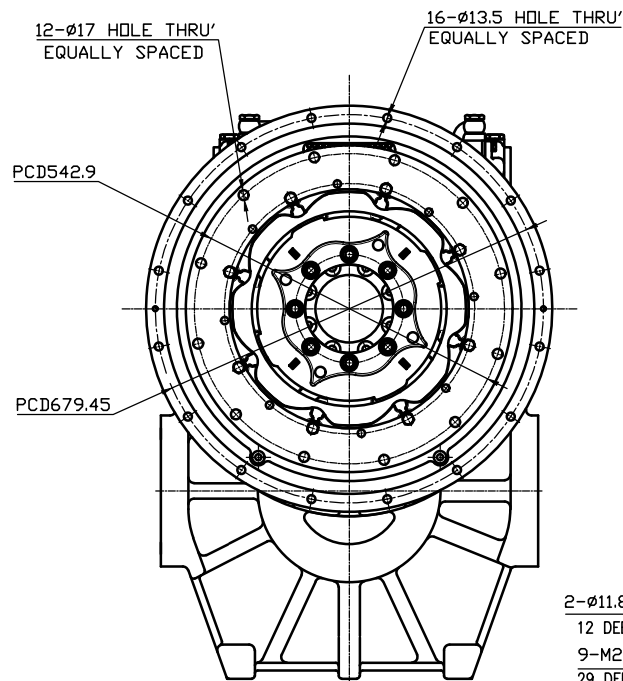


OUTPUT SHAFT COUPLING & PROPELLER COUPLING DIMENSION

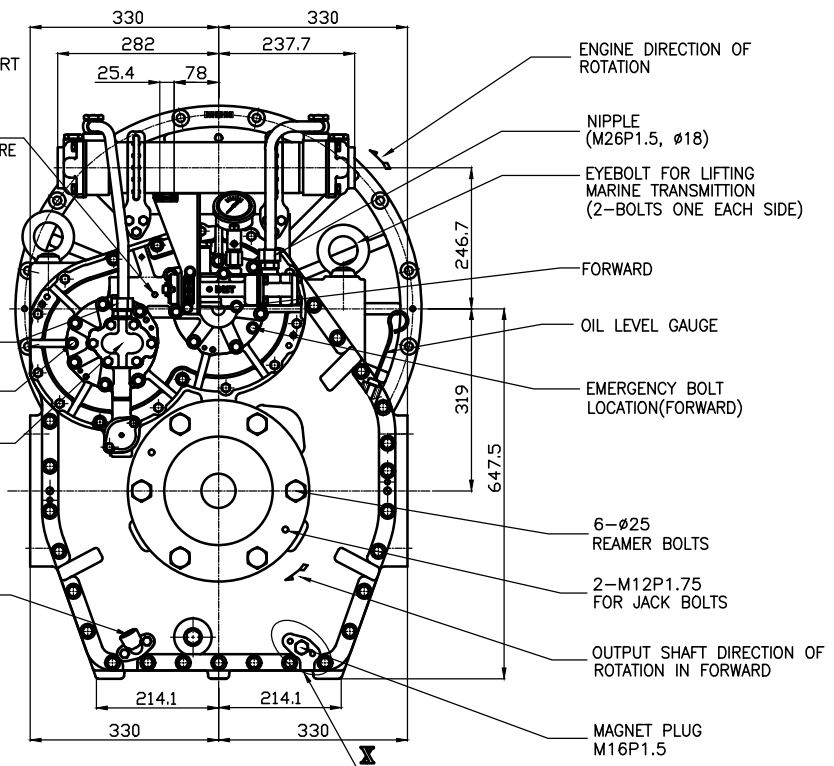
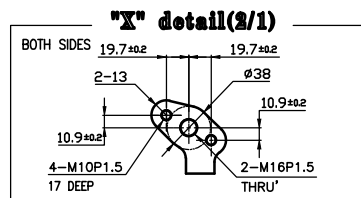
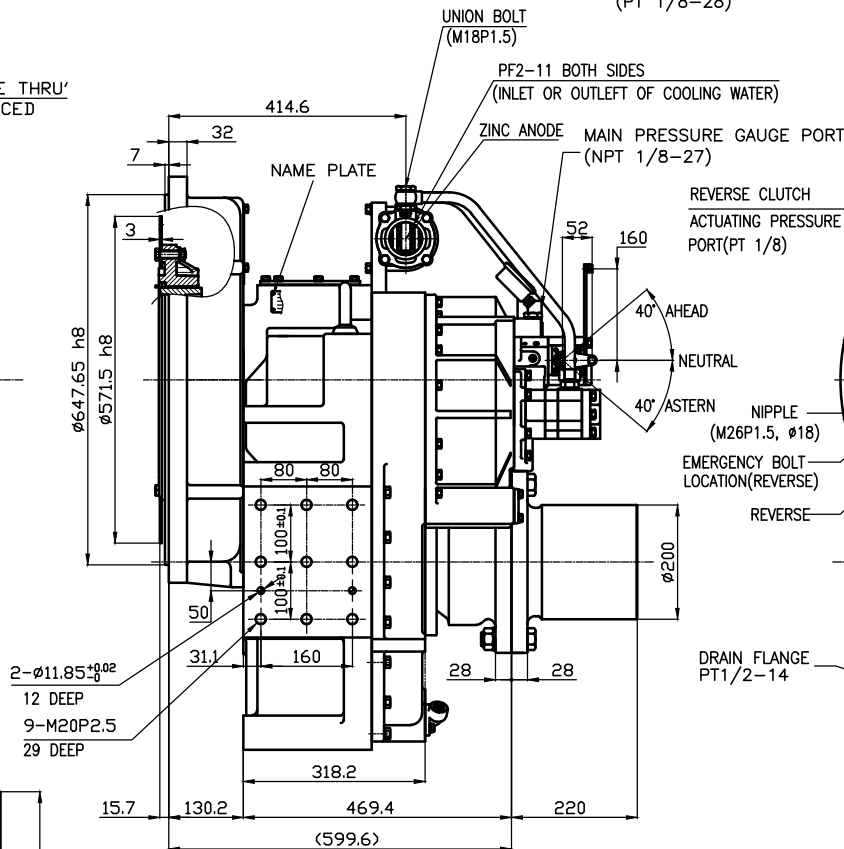


DMT330DL MARINE TRANSMISSION SPECIFICATION			
GEAR RATIO	2.61, 3.10, 3.56, 4.13, 4.59		
TOTAL WEIGHT	APPROX. 807 Kg(DRY)		
OIL CAPACITY	APPROX. 17.5 L		
OIL VISCOSITY	SAE #30		
OIL PRESSURE	1.96 ~ 2.54 MPa	CLUTCH OIL	
DIRECTION OF ROTATION	INPUT	C.C.W VIEWED FROM THE STERN	
	OUTPUT	C.W VIEWED FROM THE STERN	
OIL CHANGE INTERVAL	THE FIRST 100HOURS OF INITIAL OPERATION AND EVERY 1000HOURS THEREAFTER		
SHIFTING LIMIT	UNDER 50% OF THE RATED ENGINE SPEED		
OIL COOLER	WATER FLOW	90 ~ 120L/m	
	TEMPERATURE OF COOLING WATER	MAX 32°	
OPERATING TORQUE OF SHIFTING LEVER	UNDER 2.94Nm		



REMARK  
 1. HOUSING : SAE# 0  
 2. DRIVING RING : SAE 18"  
 3. COUPLING TYPE  
 -CENTA Flex Coupling : 77268802

BRACKET DIMENSION



공용공차 TOLERANCE ON		분수 FRACTIONS		소수 DECIMALS		각도 ANGLES	
±	—	±	—	±	—	±	—
±0.1	±0.05	±0.3	±0.1	±0.5	±0.2	±0.07	±0.1
±0.2	±0.1	±0.7	±0.3	±1.2	±0.5	±0.2	±0.2
±0.3	±0.2	±2.0	±0.8	±0.3			

번호 NO.	부품 PART NO.	부품명 PART NAME	수량 Q'TY	재료 MATERIAL	구경 SIZE	비고 REMARKS
		DMT330DL				ORIGINAL DWG. NO.
MARINE TRANSMISSION						개칭 (REV.)
33000GDLA~E-018CFR						000

DATE	SCALE	NAME	DWG. NO.	크기 SIZE	코드 번호 CODE ID. NO.
2018.06.08	1/1	TW.KIM	33000GDLA~E-018CFR	A0	

