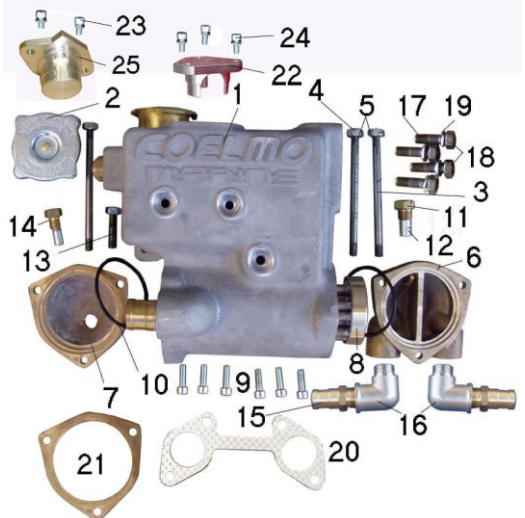



MARINEZATION KIT PARTS LIST – DM600

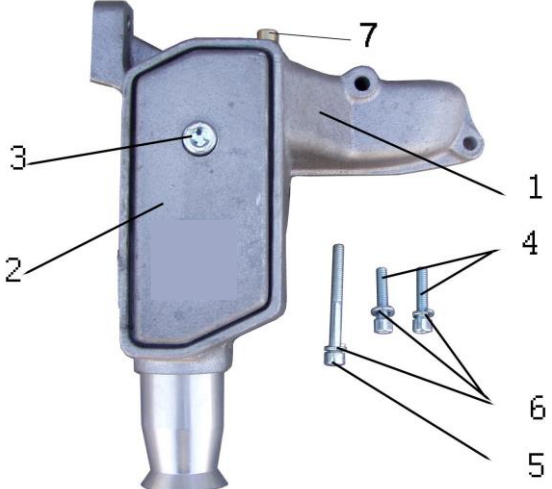
Exhaust gas collector with expansion vessel

	<u>Pos</u>	<u>PART NAME</u>
		<p>Exh. gas coll. with exp. vessel and heat exch. assembly</p> <p>1 *Exh. collector housing 2 *Expansion vessel plug 3 *Stud bolt M6x112 4 *Nut M6 5 *Washer for M6 6 *Heat exch. cover, in-out 7 *Heat exch. cover, Zn 8 *Heat exch. insert 9 *Cover fixing bolt, M6x16 10 *,,O“ – ring, 65x3 11 *Zn-anode holder 12 *Zn-anode Ø10 13 *Stud bolt, M6x30 14 *Gasket, copper, Ø14 15 *Hose connection, ½“-20 16 *Elbow, ½“, M-F 17 *Stud bolt, M8x34 18 *Nut, M10 19 *Split washer for M10 20 *Gasket, exh. gas collector 21 *Sealing flange 22 *Thermostat holder 23 *Bolt, M6x16 24 *Bolt, M5x10 25 *Cooling restriction cover</p>

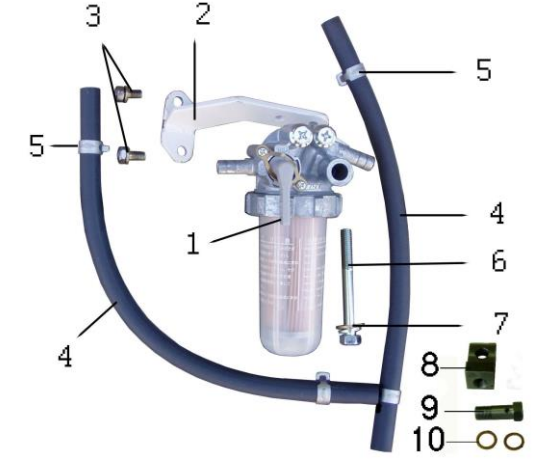
Sea and freshwater piping

	<u>Pos</u>	<u>PART NAME</u>
		<p>Sea and freshwater piping kit</p> <p>1 *Rubber hose Ø20x450 2 *Rubber hose Ø20x190x160 3 *Rubber hose Ø20x90x90 4 *Rubber elbow Ø20x100 5 *Exhaust gas riser 6 *Exhaust gas riser gasket 7 *Clip 20-32 8 *Stud bolt M8x34 9 *Nut M8 10 *Split washer for M8 11 *Rubber hose Ø20x60 12 *Alternator cool. conn.3/3”-1/2” 13 *Connection , ½”-20</p>

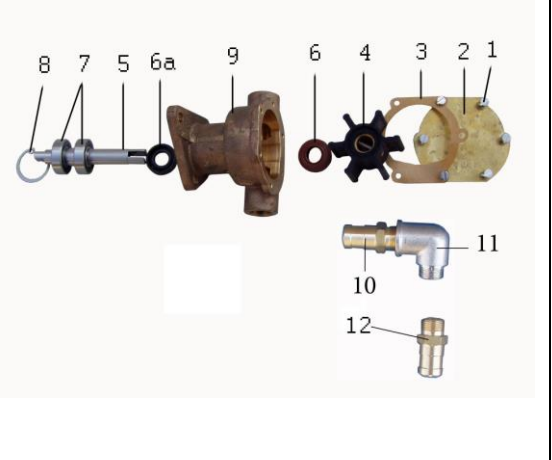
Suction manifold

	<u>Pos</u>	<u>PART NAME</u>
		Suction manifold assembly
	1	*Suction manifold housing
	2	*Suction manifold cover
	3	*Bolt M8x70
	4	*Bolt M6x25
	5	*Bolt M6x50
	6	*Split washer for M6
	7	*Engine vapor conn. M10 - 10

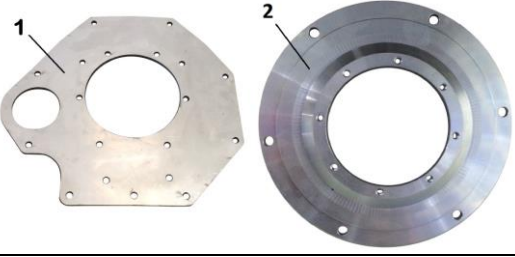
Fuel filter & fuel line with oil pressure sensor adapter

	<u>Pos</u>	<u>PART NAME</u>
		Fuel filter with line – set
	1	Fuel filter assembly Fuel filter insert (element)
	2	*Fuel filter support
	3	*Bolt with split M6x10
	4	*Fuel pipe Ø8x300
	5	*Clip 8-12
	6	*Bolt M8x65
	7	*Washer for M8
	7+	*Split washer for M8
	8	*Oil press. sensor adapter
	9	*Banjo bolt 1/8" x 25
	10	*Copper gasket 1/8"

Sea water pump

	<u>Pos</u>	<u>PART NAME</u>
		Sea water pump assembly
	1	*Cover fixing screw M4x8
	2	*Pump cover
	3	*Pump cover gasket
	4	*Impeller
	5	*Pump shaft
	6	*Lipseal, sea side
	6a	*Lipseal, oil side
	7	*Ball bearings
	8	*Circlip
	9	*Pump housing
	10	*Connection 3/8"-16
	11	*Elbow 3/8" M-F
	12	*Connection 3/8"-20

Alternator connections

	<u>Pos</u>	<u>PART NAME</u>
	1	Alternator connections *Generator adapting plate
	2	*Generator connecting flange