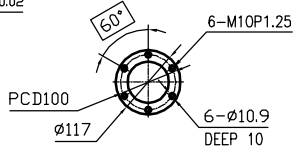
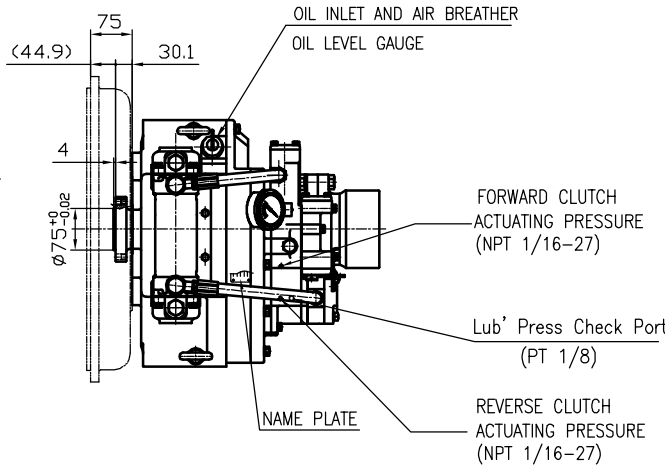


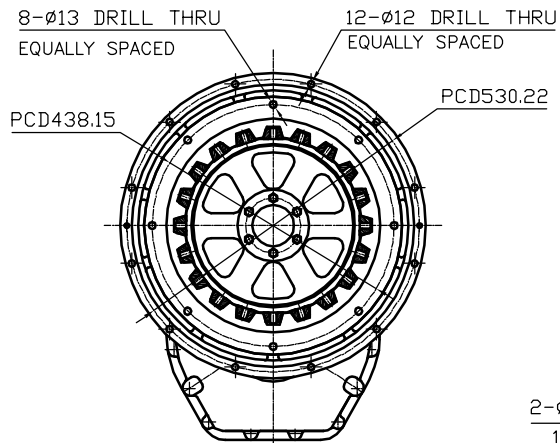
OUTPUT SHAFT COUPLING & PROPELLER COUPLING DIMENSION



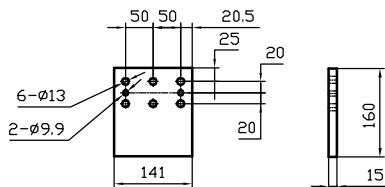
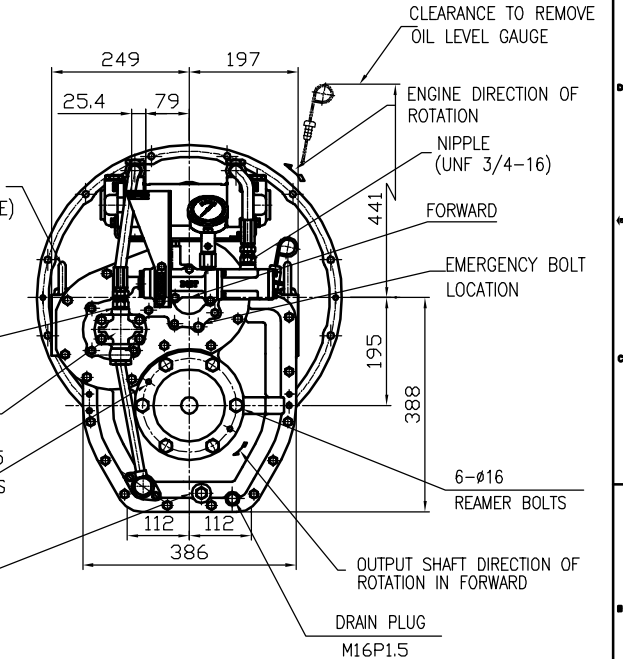
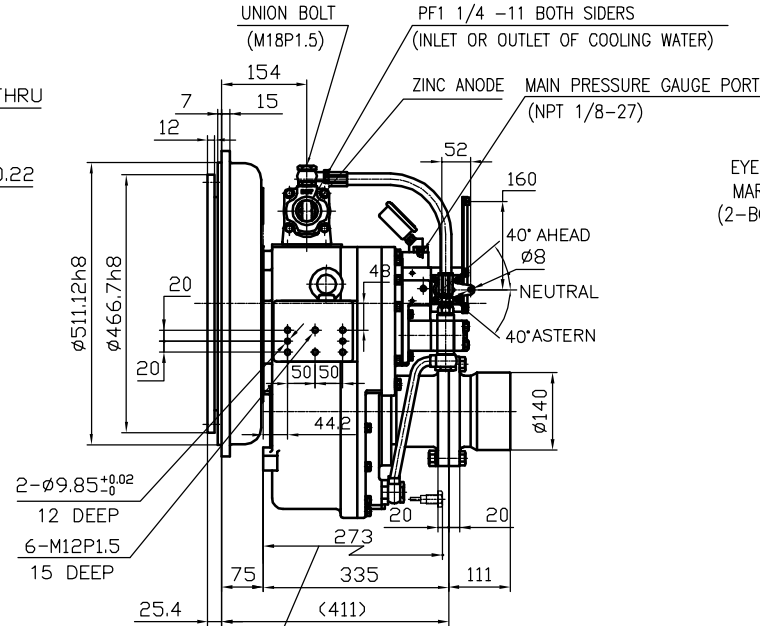
INPUT COUPLING DIMENSION



DMT 110A MARINE TRANSMISSION SPECIFICATION			
GEAR RATIO	1.77	2.09	2.42 2.82 3.19
TOTAL WEIGHT	APPROX. 212 kg(DRY)		
OIL CAPACITY	APPROX. 4 L		
OIL VISCOSITY	SAE # 30		
OIL PRESSURE	1.96 ~ 2.35 MPa	CLUTCH OIL	
DIRECTION OF ROTATION IN FORWARD	INPUT	C.C.W VIEWED FROM THE STERN	
	OUTPUT	C.W VIEWED FROM THE STERN	
OIL CHANGE INTERVAL	THE FIRST 100HOURS OF INITIAL OPERATION AND EVERY 1000HOURS THEREAFTER		
SHIFTING LIMIT	UNDER 50% OF THE RATED ENGINE SPEED		
OIL COOLER	WATER FLOW 40 ~ 60L/min		TEMPERATURE OF COOLING WATER
			MAX 32°C
OPERATING TORQUE OF SHIFTING LEVER	UNDER 2.94Nm		



- REMARK
 1.HOUSING: SAE#1
 2.DRIVING RING: SAE 14"
 3.COULING TYPE : RUBBER



BRACKET DIMENSION

公差値 TOLERANCE ON		PART NO. 件		PART NAME 名		数量 QTY	材料 MAT	規格 SIZE	備註 REMARKS
分數 FRACTIONS	小數 DECIMALS	角度 ANGLES	MATERIAL 質		形式 TYPE	DMT110A			
±	±	±	DATE 2012.08.18		SCALE N/S	MARINE TRANSMISSION			
±	±	±	批准 APPROVED BY JK.Kim	檢核 CHECKED BY KS.Han	製圖 DRAWN KC.Yoon	原圖號 ORIGINAL DWG. NO. 000			
REV. 1						REV. 1		REV. 1	
REV. 4						REV. 4		REV. 4	
REV. 16						REV. 16		REV. 16	
REV. 63						REV. 63		REV. 63	
REV. 83						REV. 83		REV. 83	
REV. 250						REV. 250		REV. 250	
REV. 250						REV. 250		REV. 250	

11000GA~E-114RC (REV.000)
 000
 000
 000
 000
 000
 000

©D-I INDUSTRIAL A 8 CODE ID. NO. 000