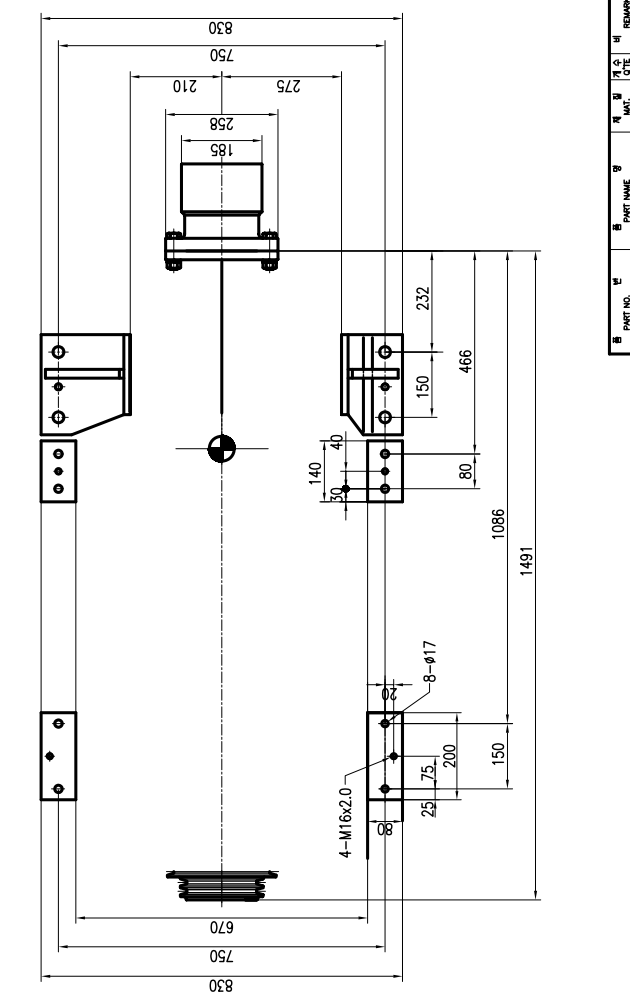
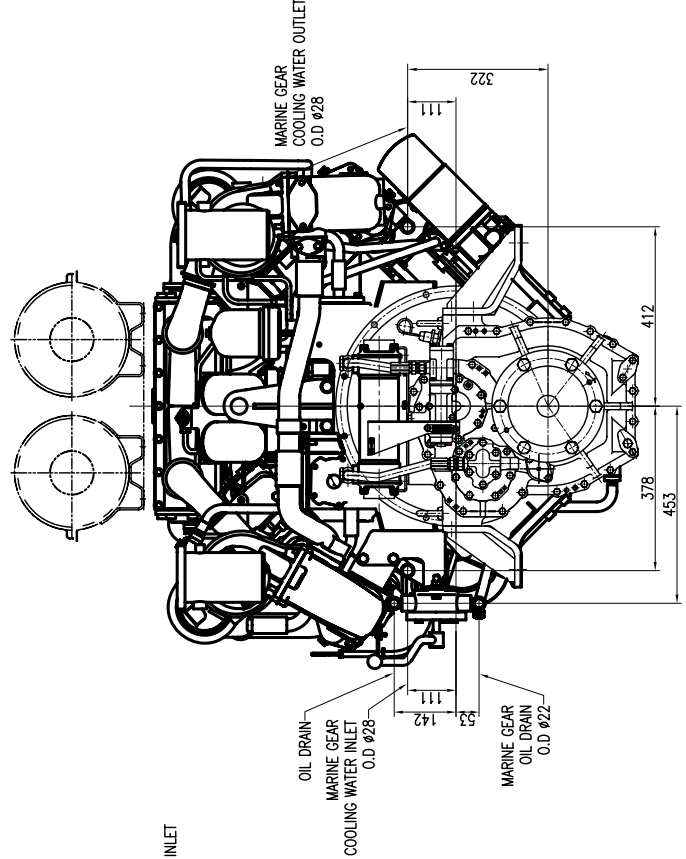


OUTPUT SHAFT COUPLING & PROPELLER COUPLING DIMENSION



PART NO.	NAME	REV. NO.	REV. DATE	REV. REASON
V158T1	ENGINE ASSY with DMT200H			
DESIGNER	DRWING	CHECKER	DATE	SCALE
DESIGNER	DRWING	CHECKER	DATE	SCALE
NO. 65.00508-7090				
Doosan Infracore Co., Ltd. INCHON KOREA				