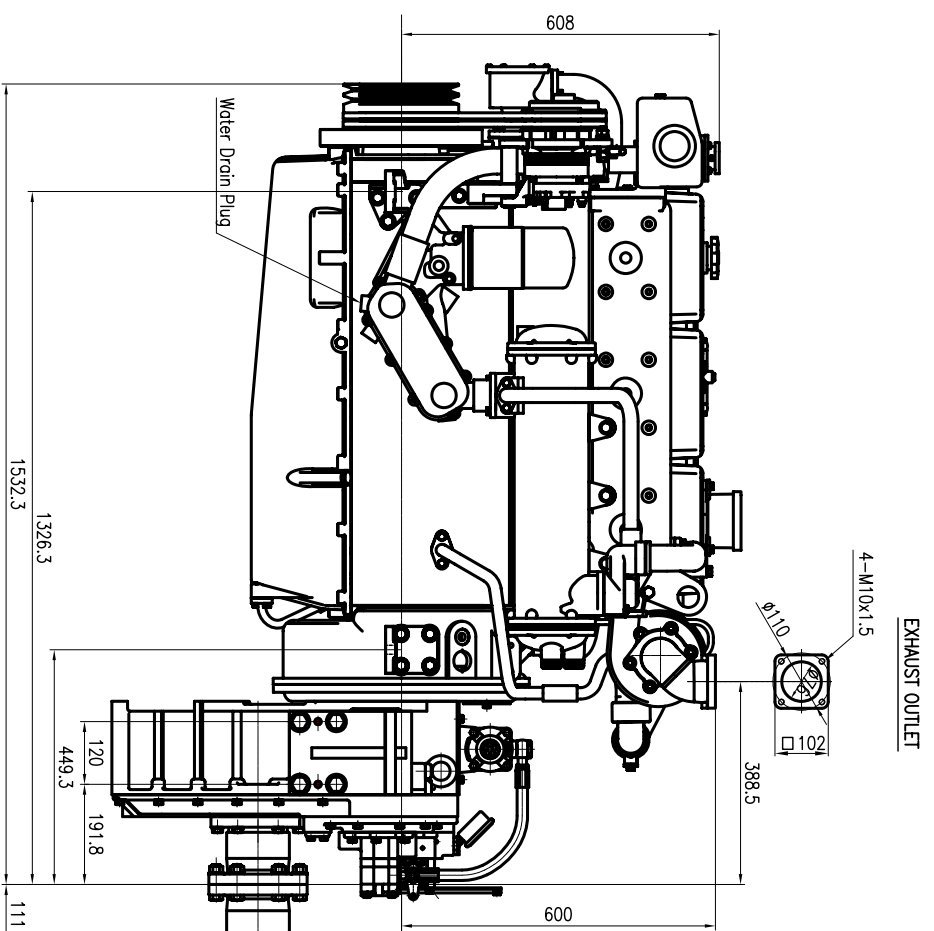
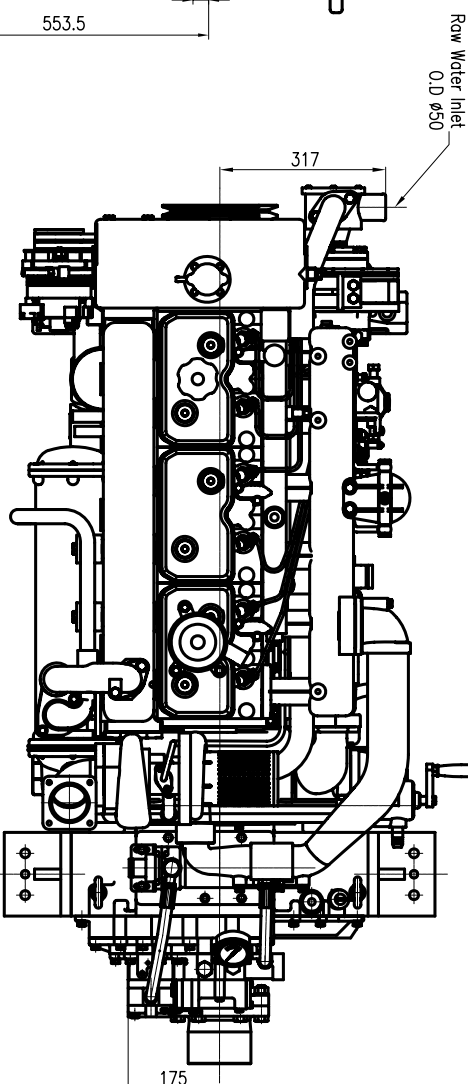
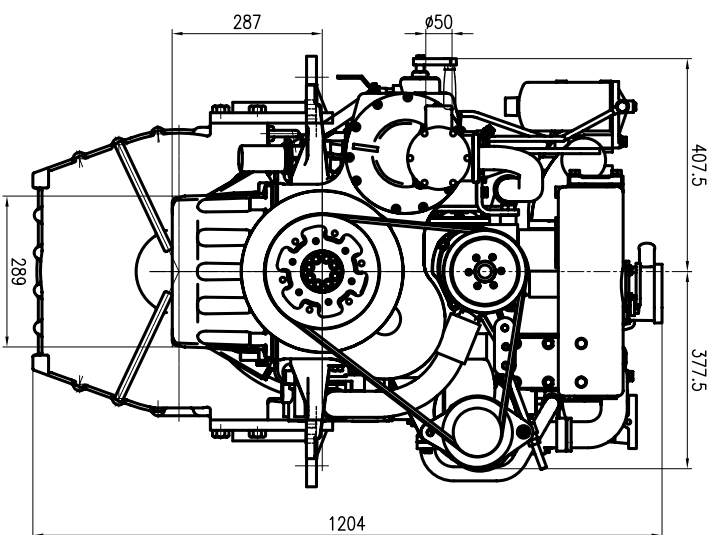
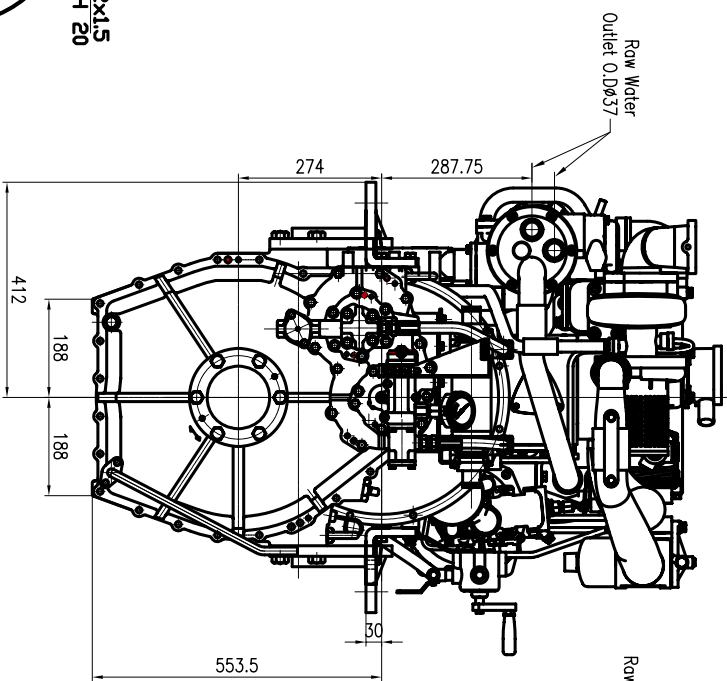
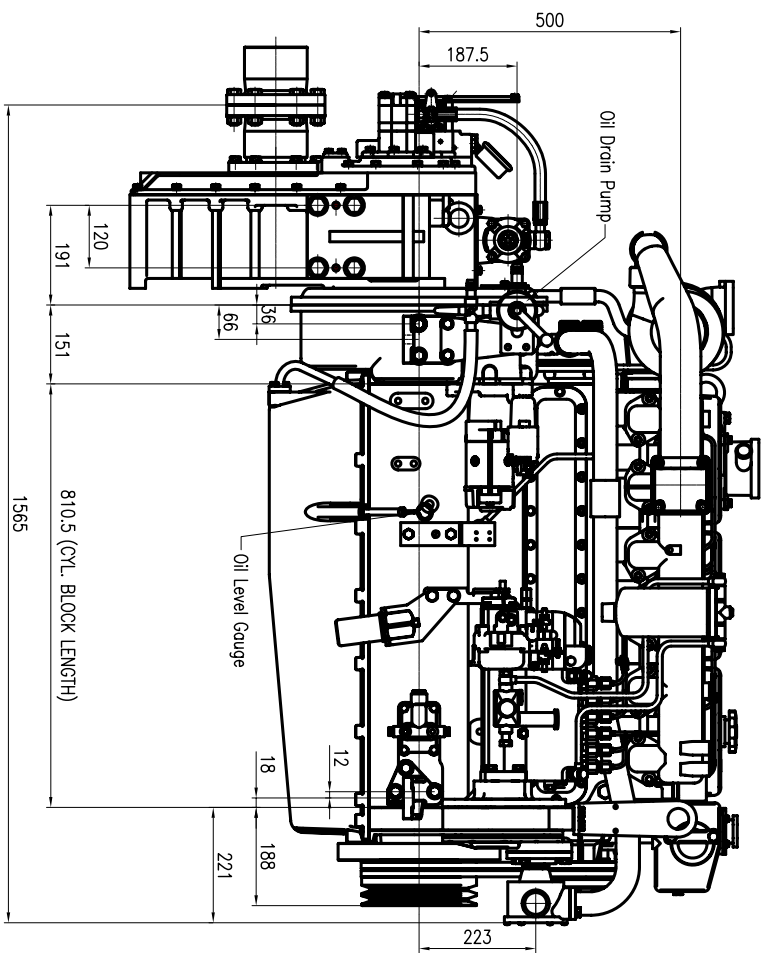
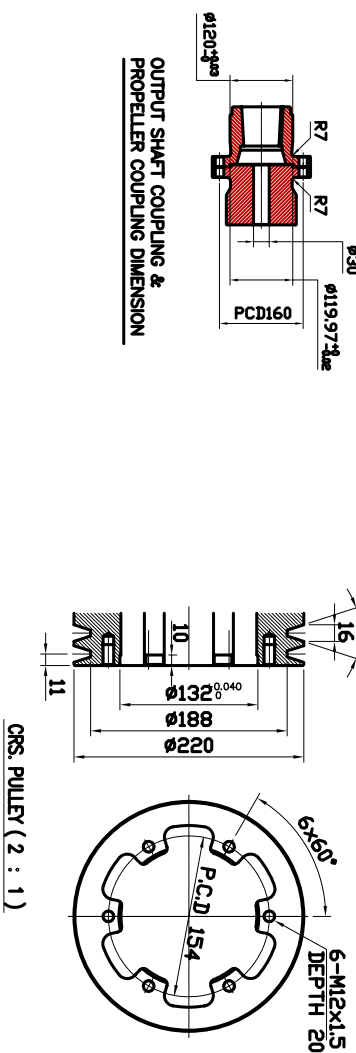


OUTPUT SHAFT COUPLING & PROPELLER COUPLING DIMENSION



1	2	3	4	5	6	7	8	9	10	11	12	13	14	15	16	17	18	19	20	21	22	23	
PART NO.		PART NAME		UNIT		QTY		REMARKS		DRAWN		CHECKED		DATE		SCALE		SHEET NO.		SHEET TOTAL		REVISION	
L136T		ENGINE ASSY		1		1				1:1													
150109-10016		FOR WAKE GEAR OPTION.								DOOSAN INCHON		KOREA											