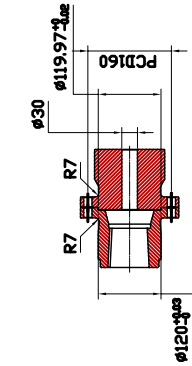
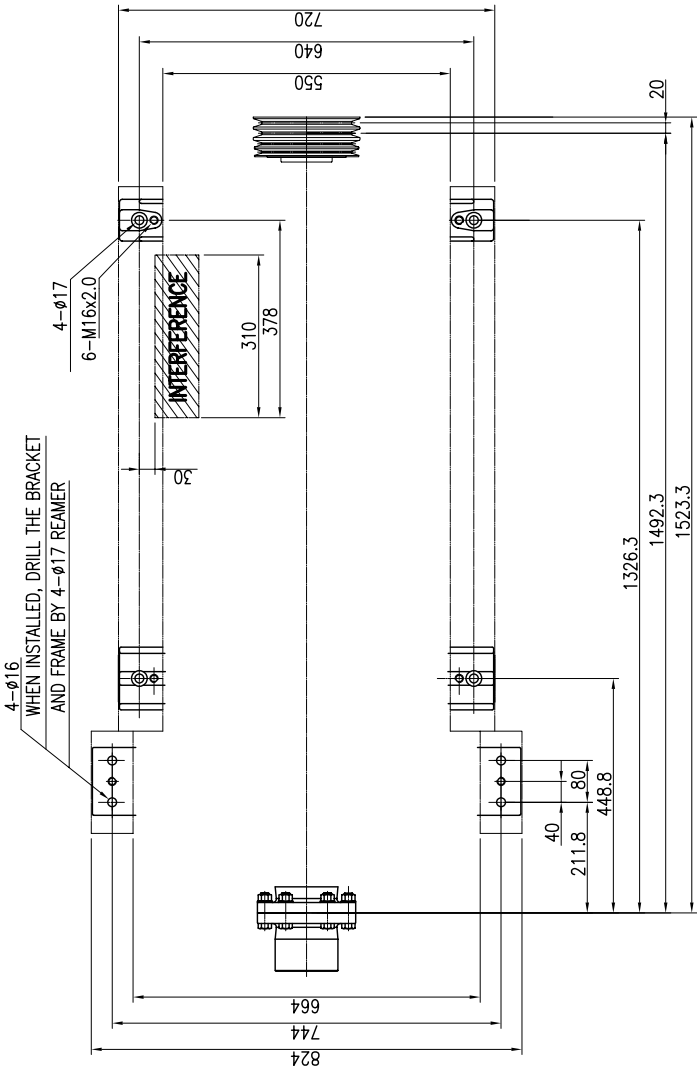
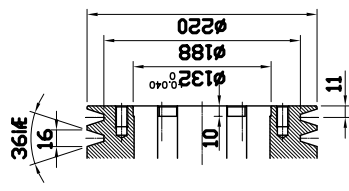


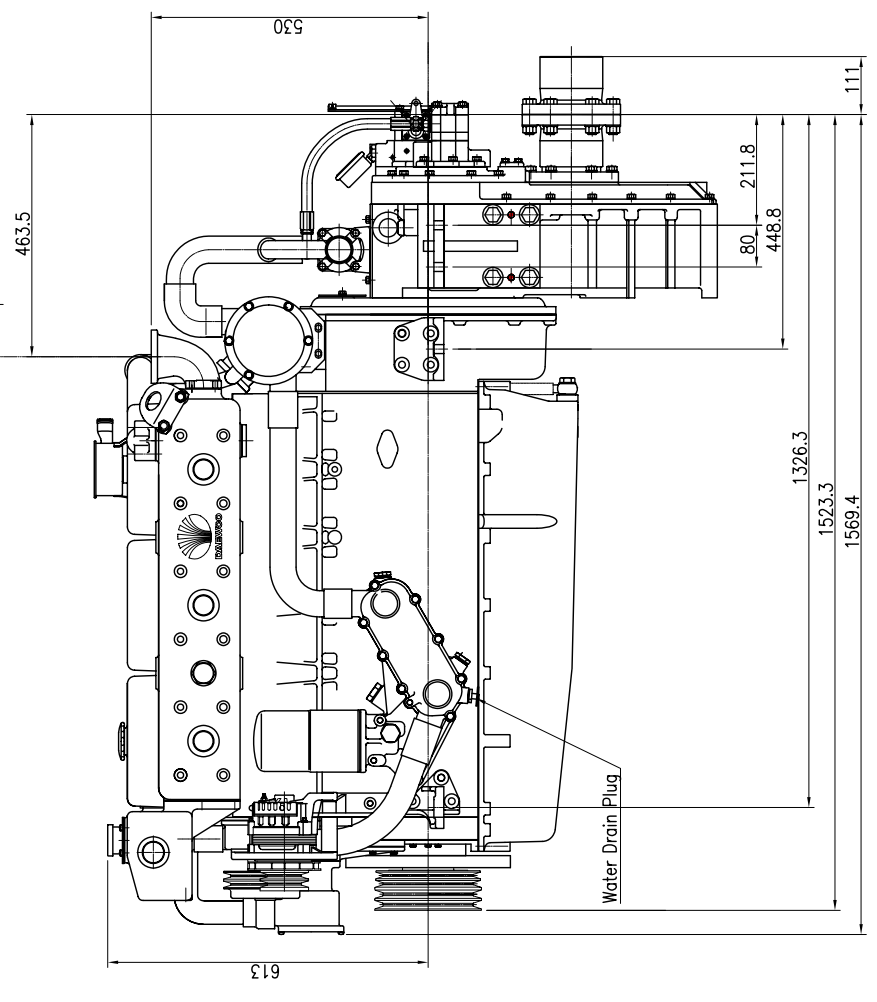
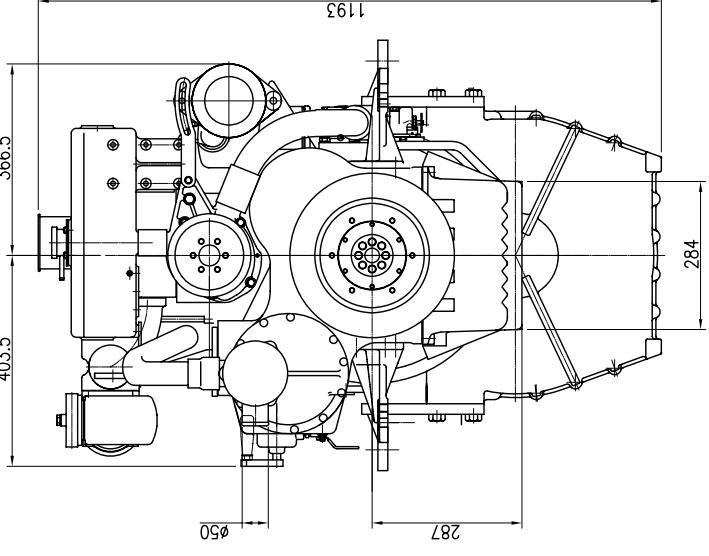
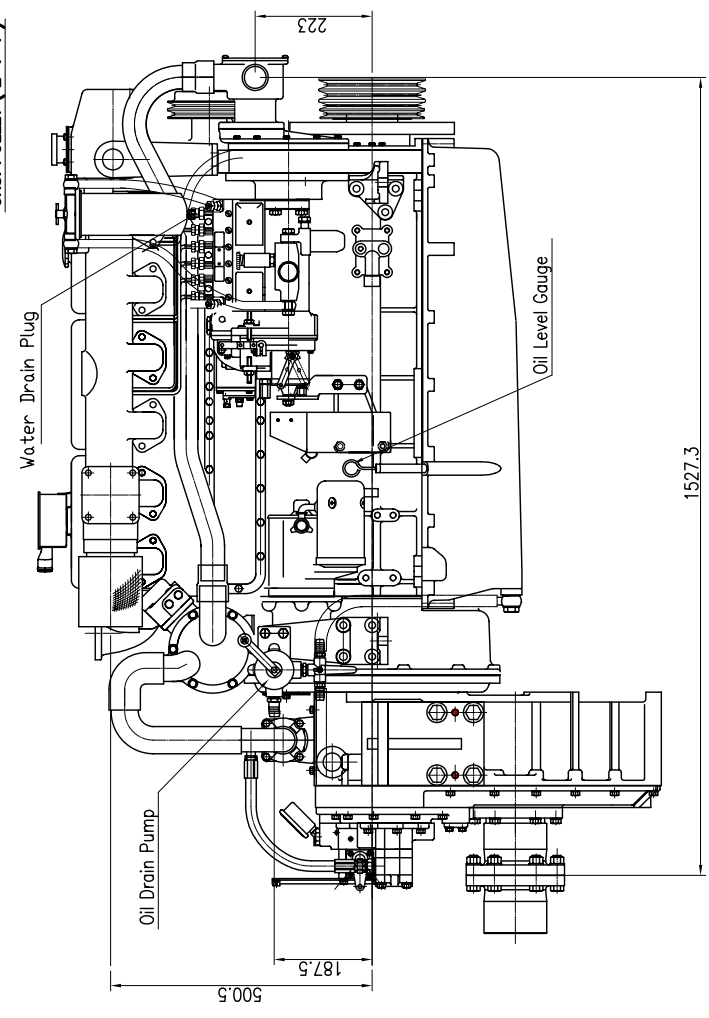
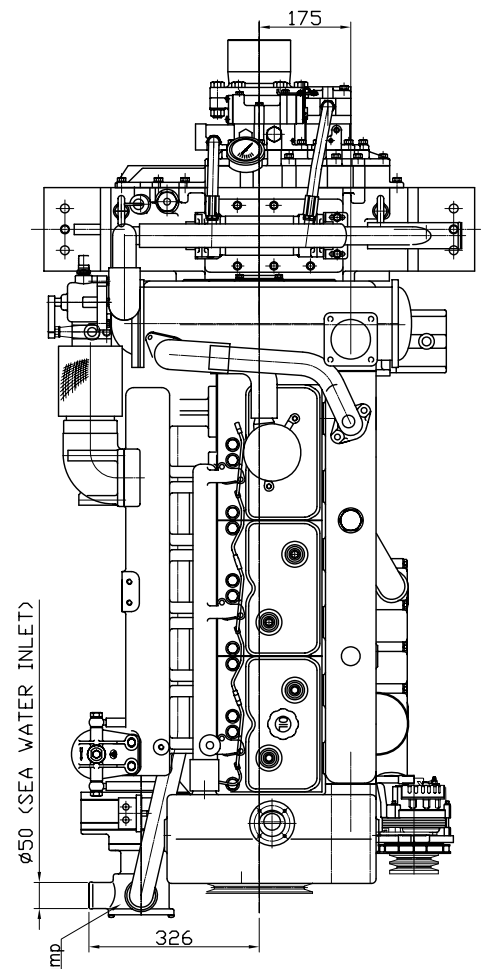
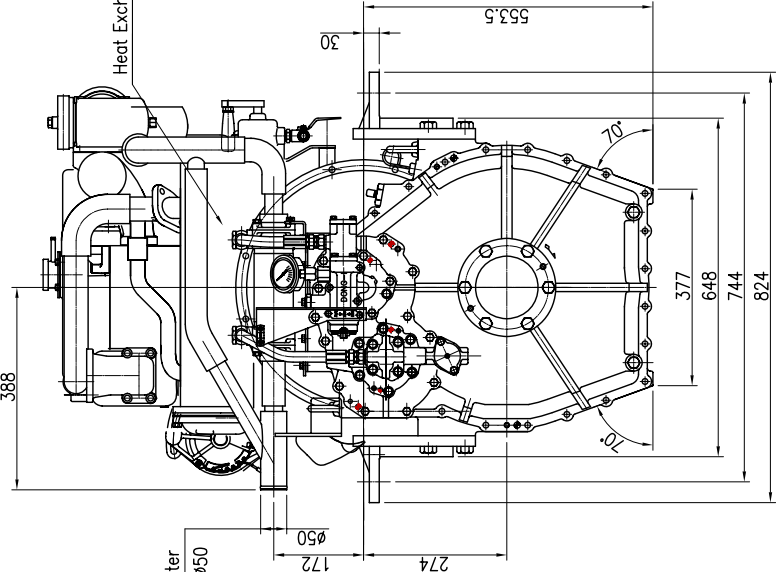
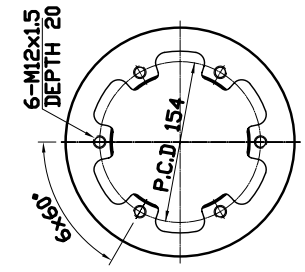
57
GRADE



OUTPUT SHAFT COUPLING &
PROPELLER COUPLING DIMENSION



CRS. PULLEY (2 : 1)



PART NO.	1136	NAME	ENGINE ASSY	SCALE	1:1
FOR	FOR MARINE GEAR DMT100HL	NO.	65.00506-7409	UNIT	INCH
DESIGNER	U.S. LEE	DATE		REVISION	2
CHECKER					
APPROVER					
Daejeon Infraco Co., Ltd. INCHON KOREA					

3 21
3D ANGLE