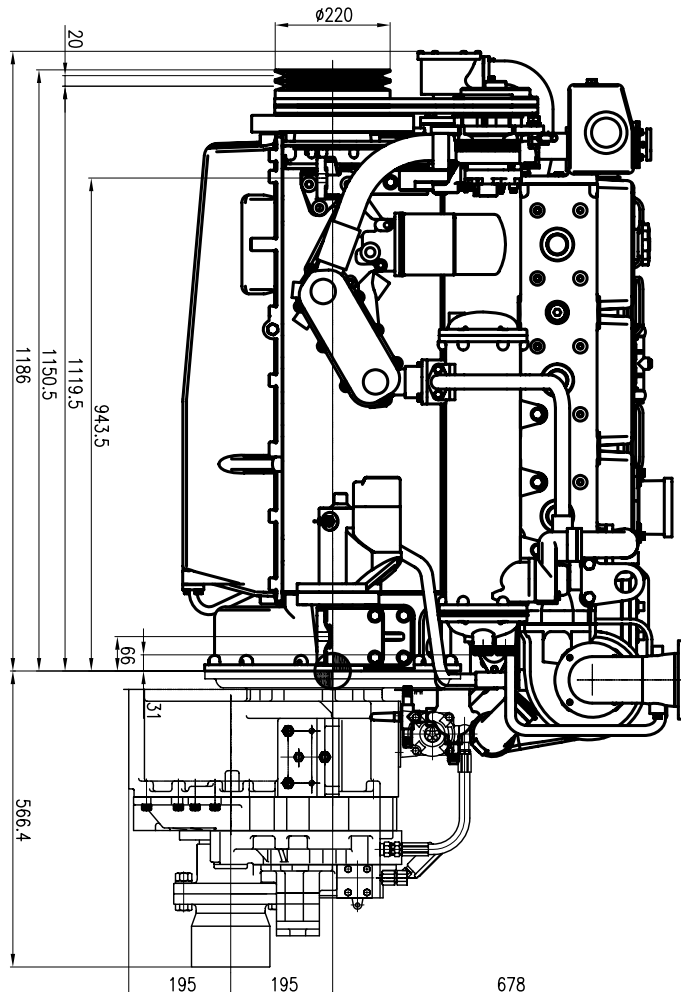
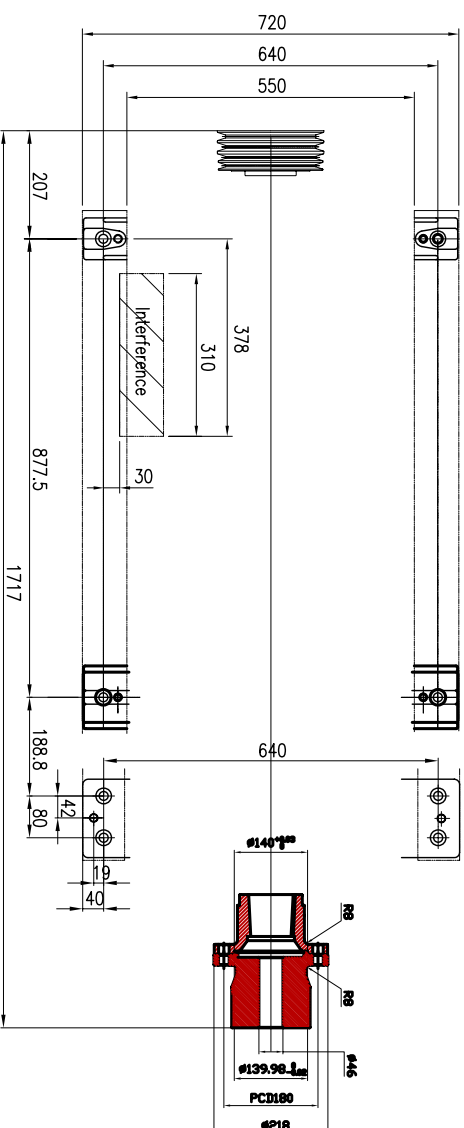
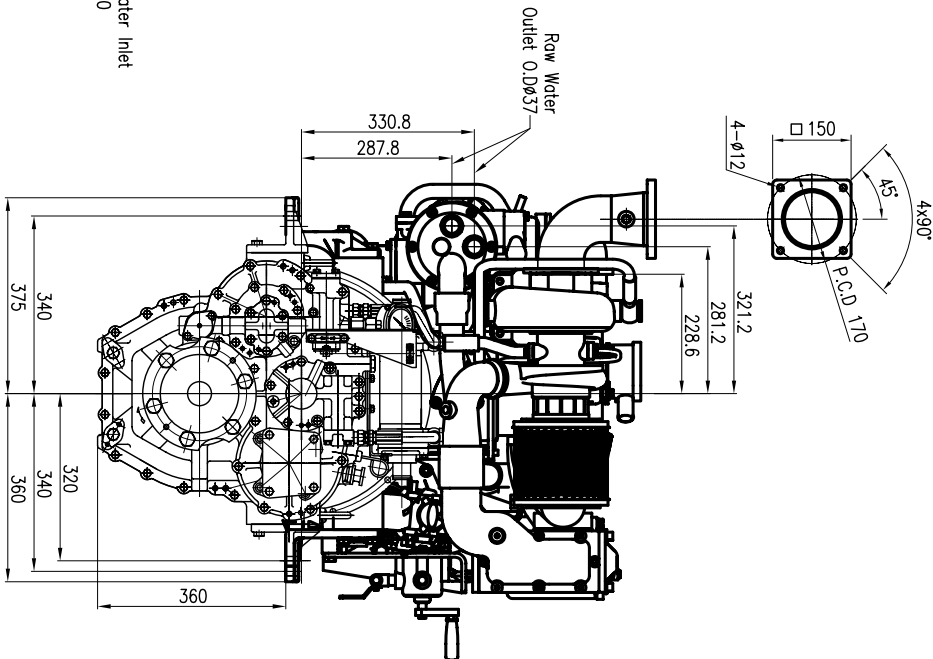
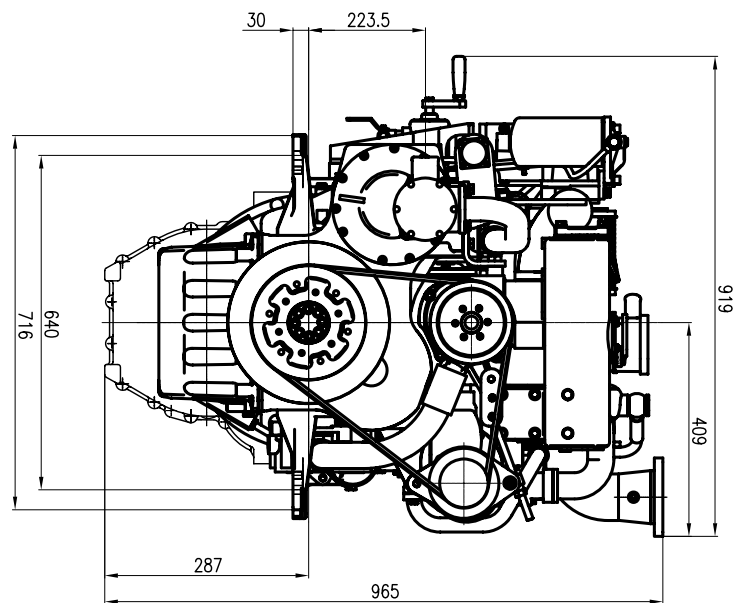
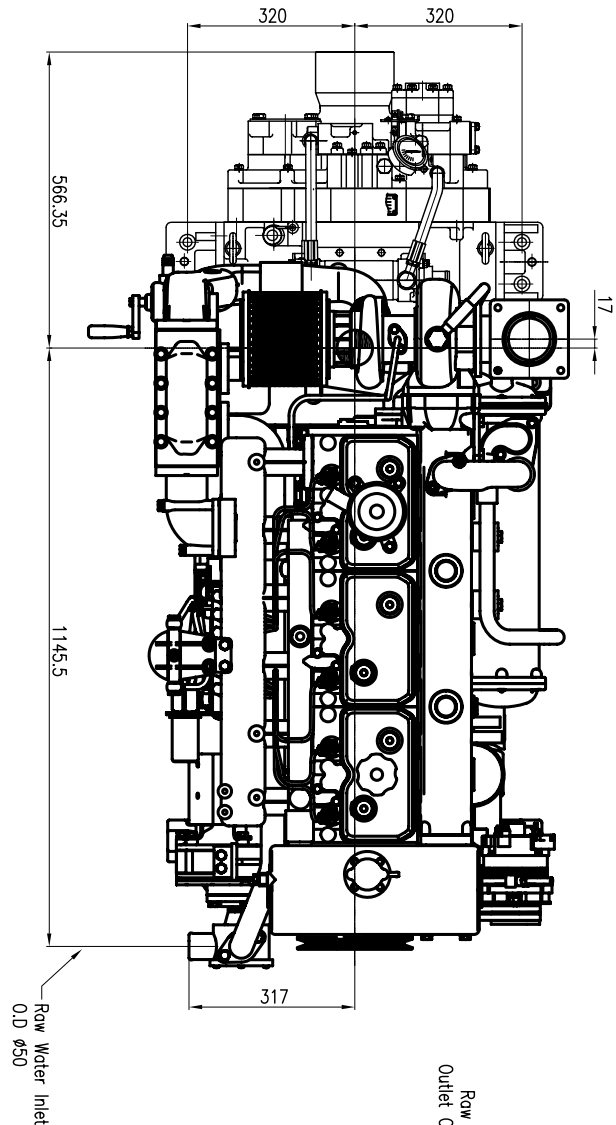
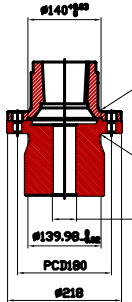


OUTPUT SHAFT COUPLING & PROPELLER COUPLING DIMENSION



1	PART NO.	NAME	QTY	REMARKS
2	71	ENGINE ASSTY	1	FOR DUMP5100
3	150109-10009	150109-10009		
4	REVISIONS			
5	NO.	DATE	BY	DESCRIPTION
6	1			
7	1			
8	1			
9	1			
10	1			
11	1			
12	1			
13	1			
14	1			
15	1			
16	1			
17	1			
18	1			
19	1			
20	1			
21	1			
22	1			
23	1			
24	1			
25	1			
26	1			
27	1			
28	1			
29	1			
30	1			
31	1			
32	1			
33	1			
34	1			
35	1			
36	1			
37	1			
38	1			
39	1			
40	1			
41	1			
42	1			
43	1			
44	1			
45	1			
46	1			
47	1			
48	1			
49	1			
50	1			
51	1			
52	1			
53	1			
54	1			
55	1			
56	1			
57	1			
58	1			
59	1			
60	1			
61	1			
62	1			
63	1			
64	1			
65	1			
66	1			
67	1			
68	1			
69	1			
70	1			
71	1			
72	1			
73	1			
74	1			
75	1			
76	1			
77	1			
78	1			
79	1			
80	1			