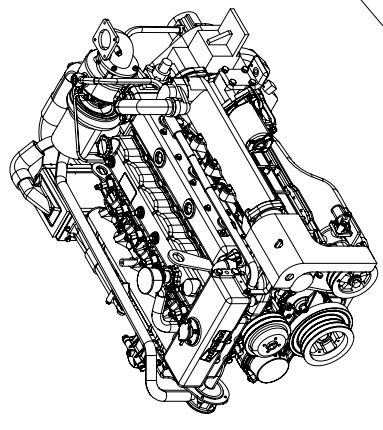
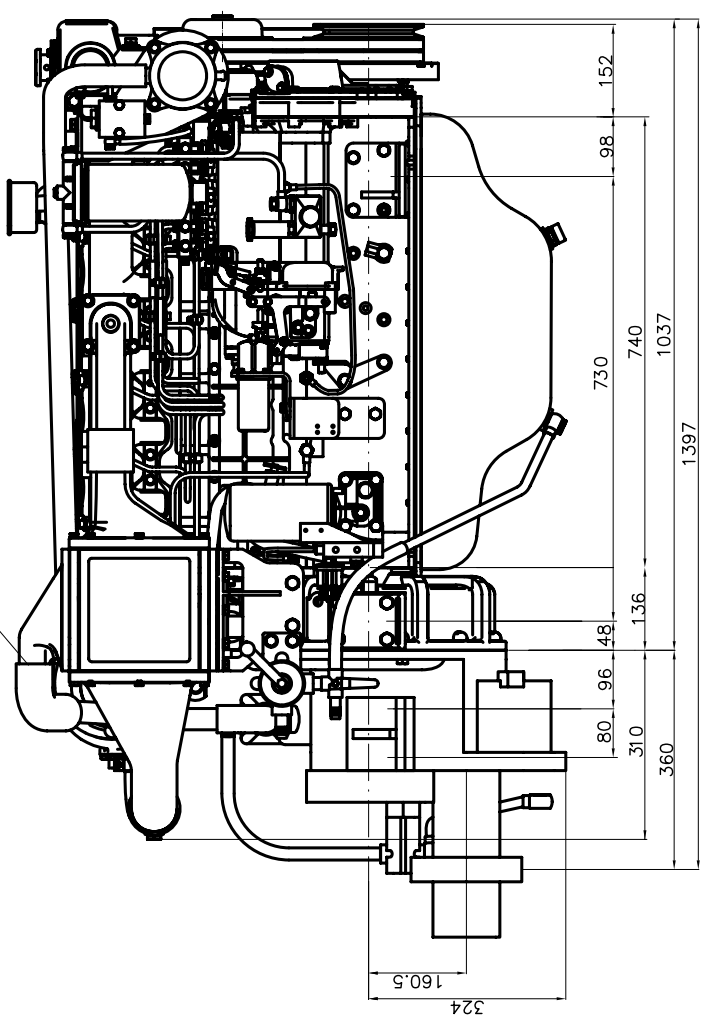
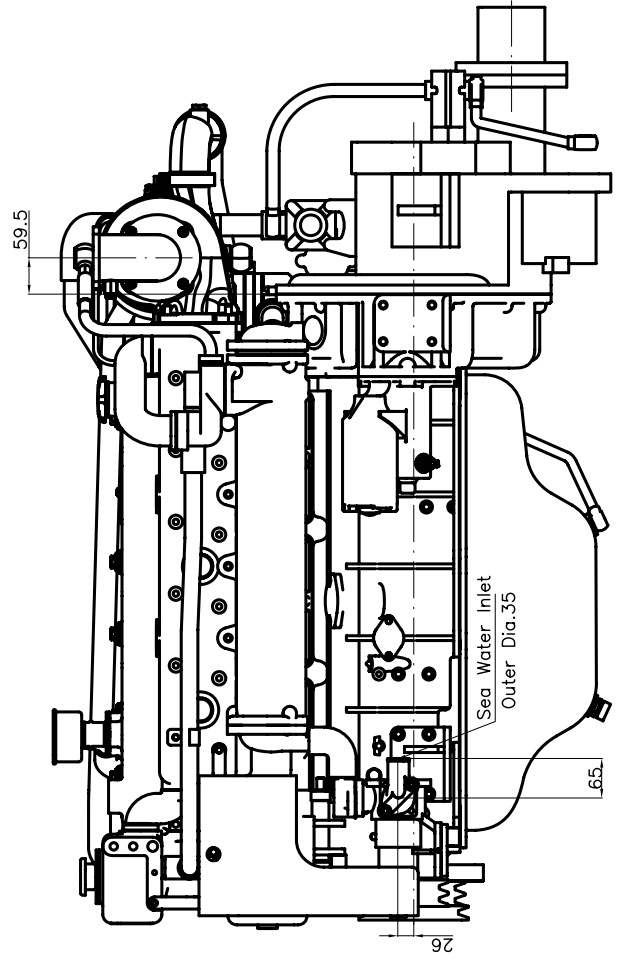
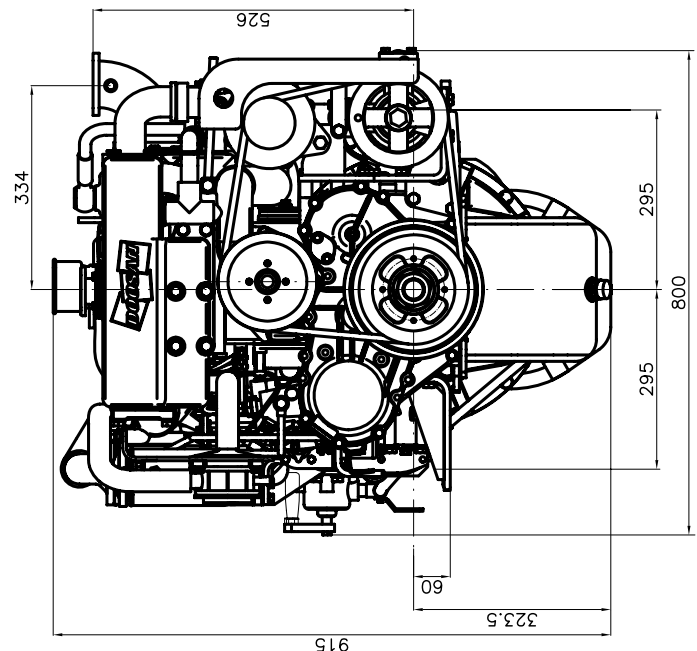


(CRANK PULLEY)



Sea Water Outlet O.D. ϕ 50



PART NO.	NAME	UNIT	QTY	REMARKS
L06671	ENGINE ASSY			
for Dong-I DM701F Reduction gear				
MANUFACTURE NO.	DATE	DR.	CHK.	DATE
1000127	10.01.27	0		
DRAWING NO. 65.00506-7494				INCHON KOREA
Dong-I Infracore Co., Ltd.				