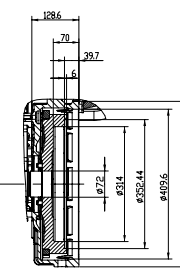
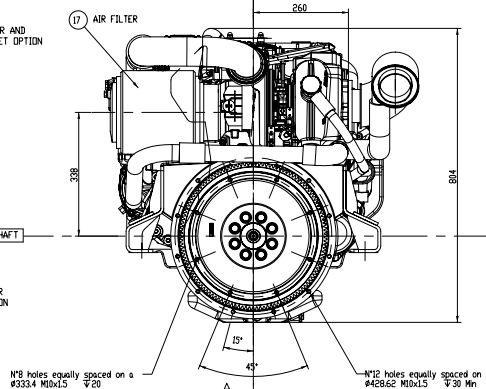
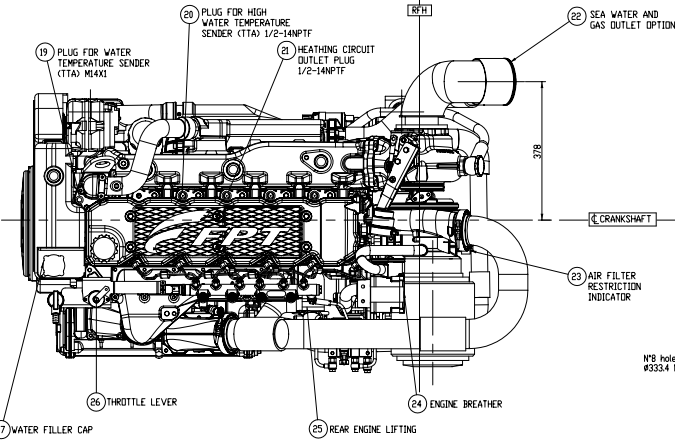
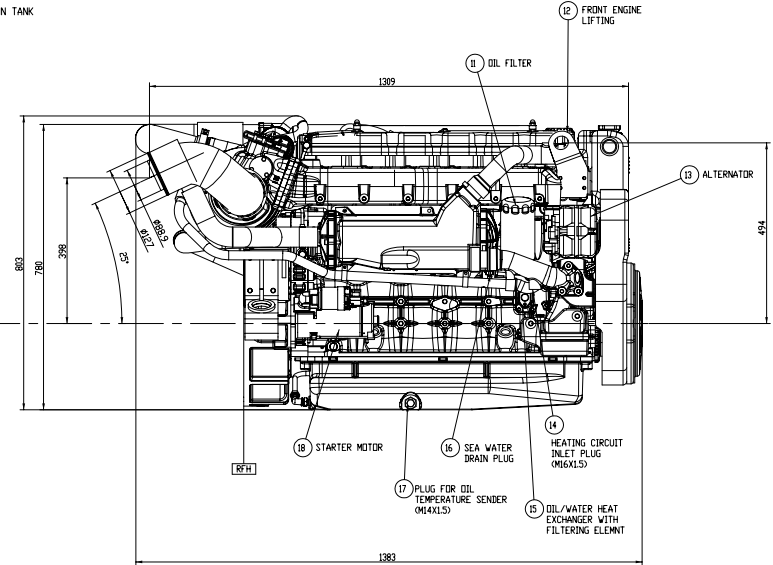
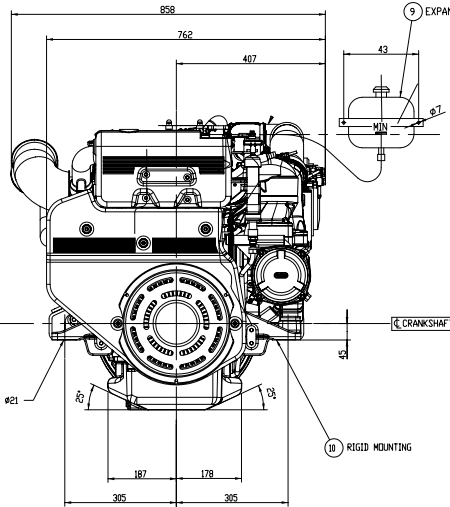
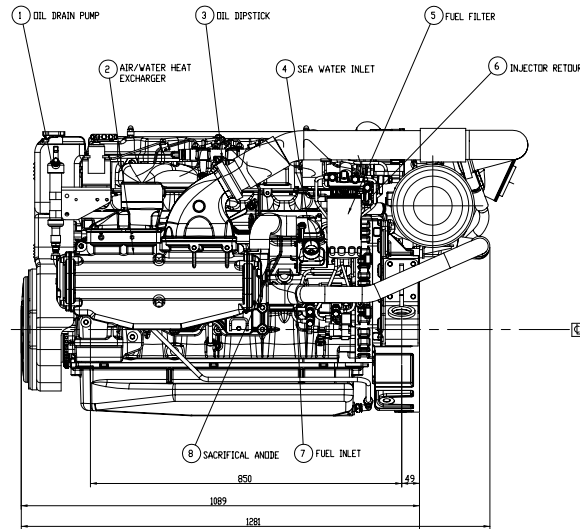
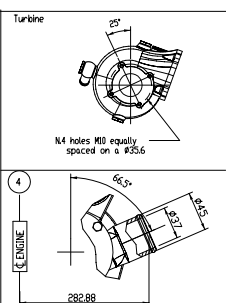
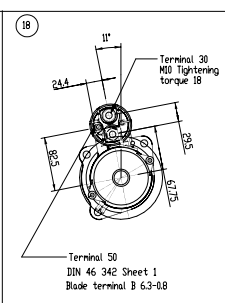
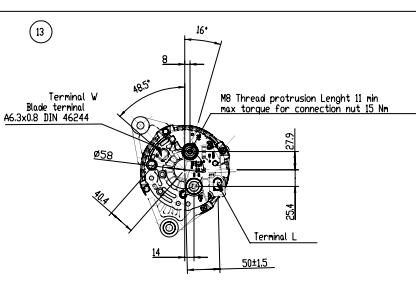
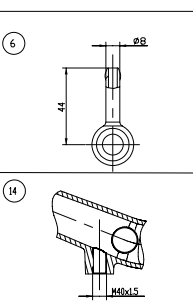
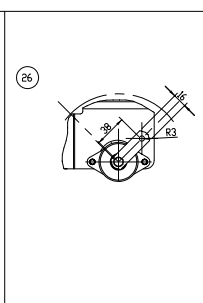
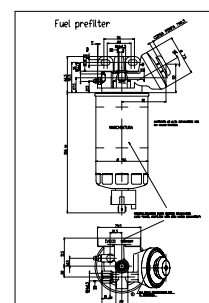


REV. STATUS		CHANGE DESCRIPTION		ENGINEERING	OK	SP
06-02-09	A	A0	ISSUED	1-00095-00-035	SA	PH



RFH= REAR FACE FLYWHEEL HOUSING



Pro/Engineer
Signature
CHANGE RESTRICTED
NO MANUAL CHANGES
ME FIC
DIMENSIONS SHOWN IN
PARENTS UNLESS OTHERWISE SPECIFIED

THIS DOCUMENT IS IN ACCORDANCE WITH ISO GEOMETRICAL PRODUCT SPECIFICATION (GPS) - ISO 1101 - PPS SYSTEMS AND CLEARANCE TABLES PPT-M-NDS FOR FURTHER DRAWING STANDARDS SEE PPT 1500 FOR GENERAL TOLERANCE SEE PPT 510 100 GEOMETRICAL INFORMATION PRODUCT LIABILITY & PROTECTION NOTICE TO ENVELOPE WEIGHT: 400 DRAW No. D DIA CODE 143340 SCALE 1:5 SURFACES PPT 510 100 WORKPIECE CODES PPT 510 100					
REVISION	DATE	SIGNATURE			
N67ENTMS6.10	04-02-09	DRAWER			
TECHNICAL CODE	SA	CHECKER			
54-9800	PH	SUPERVISOR			
DRAWING NAME		LABORATORY			
ENGINE LAYOUT		MANUFACT. ENG.			
SHEET NUMBER	DWG STATUS	REV	SCALE	DATE	
1 of 1	A0			04-02-09	

POWERTRAIN TECHNOLOGIES
PRODUCT ENGINEERING