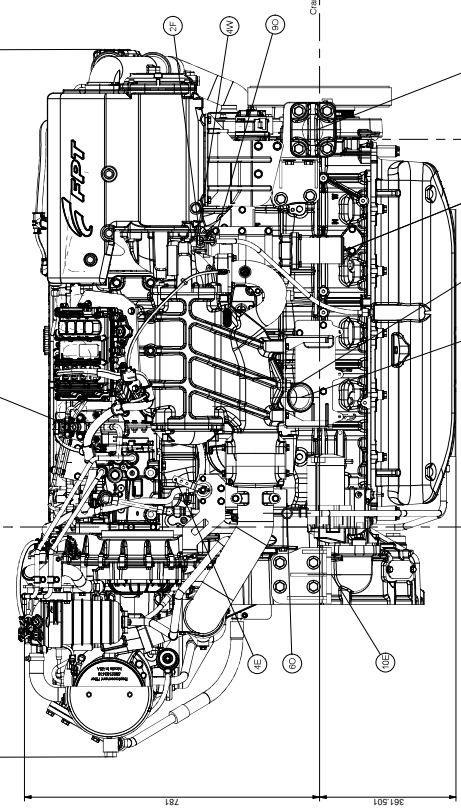
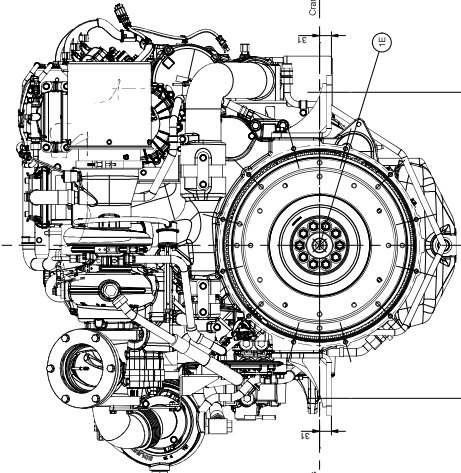
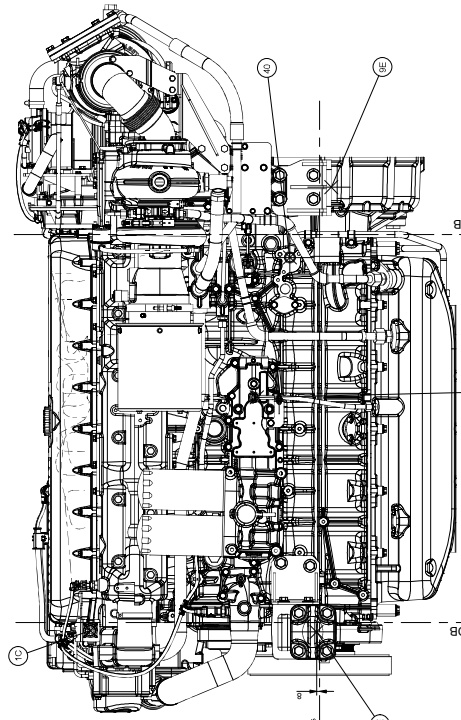
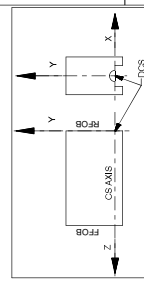
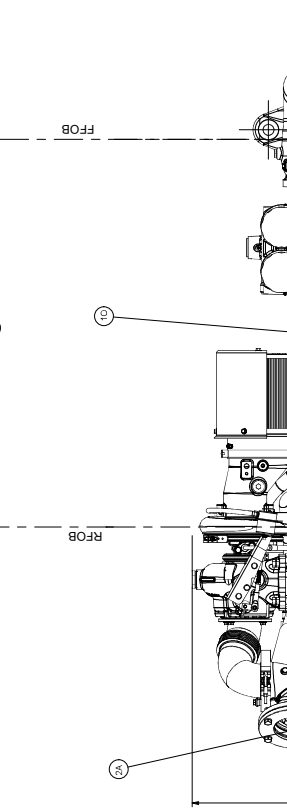
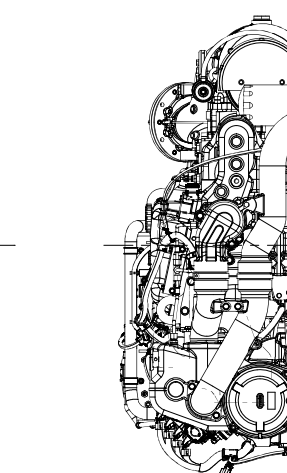


DATE CHECK	QID	CHANGE DESCRIPTION	DRAFTER	CHECKER



ENGINE INTERFACES	TYPE	DESCRIPTION	X	Y	Z
2A	AIR	TURBOCHARGER COMPRESSOR AIR OUTLET	1458.459	4233.939	6330.416
1W	WATER	WATER INLET PORT	590.469	338.674	451.126
2W	WATER	WATER OUTLET PORT	192.000	291.200	464.800
4W	WATER	WATER INLET PORT	192.000	411.200	526.810
5W	WATER	COOLANT COVER ON TANK CONNECTION	222.500	391.500	704.000
7E	WATER	EXHAUST TANK CAP	628.341	452.580	82.330
7F	WATER	CONVENTION TURBOVALVE	628.341	452.580	82.330
7E	FUEL	FUEL INLET	283.341	452.580	82.330
7F	FUEL	FUEL OUTLET JOINT	162.334	348.247	318.184
1O	OIL	OIL FILLING ON COVER	430.000	-7.185	772.645
4O	OIL	OIL DRAINING ON OIL PAN	693.001	-526.370	78.500
6O	OIL	OPTIONAL OIL DRAINING ON OIL PAN	887.344	473.869	86.340
9O	OIL	OPTIONAL OIL DRAINING ON OIL PAN	1173.000	500.000	117.000
9O	OIL	RIGHT ENGINE FLYWHEEL OPTIMAL	167.331	500.000	378.637
1E	ENGINE	ENGINE FLYWHEEL OPTIMAL	1120.000	0.000	0.000
4E	ENGINE	THROTTLE POTENTIOMETER	797.627	429.300	381.349
7E	ENGINE	ENGINE SUSPENSION	-128.000	-405.000	8.000
8E	ENGINE	ENGINE SUSPENSION	-128.000	-405.000	8.000
9E	ENGINE	ENGINE SUSPENSION	-128.000	-405.000	8.000
4E	ENGINE	ENGINE SUSPENSION	1049.750	405.000	-31.000
1C	CONNECTION	CONNECTION	-124.449	405.000	-164.144
					609.890



ITEM	DESCRIPTION	STATUS
1	TRADEMARK	REGISTERED
2	PART NUMBER	EMBOSSED
3	MANUFACTURING DATE	EMBOSSED
4	MATERIAL ABBREVIATION	
5	SUPPLIER NUMBER	
6	MANUFACTURER'S IDENTIFICATION	
7	SERIAL NUMBER	
8	ENGINE	
9	CONNECTION	
10	OPTIONAL OIL DRAINING ON OIL PAN	
11	OPTIONAL OIL DRAINING ON OIL PAN	
12	OPTIONAL OIL DRAINING ON OIL PAN	
13	OPTIONAL OIL DRAINING ON OIL PAN	

DATE	BY	CHKD	APP'D

THIS DRAWING IS THE PROPERTY OF DENSO CORP. AND IS NOT TO BE REPRODUCED OR TRANSMITTED IN ANY FORM OR BY ANY MEANS, ELECTRONIC OR MECHANICAL, INCLUDING PHOTOCOPYING, RECORDING, OR BY ANY INFORMATION STORAGE AND RETRIEVAL SYSTEM, WITHOUT PERMISSION IN WRITING FROM DENSO CORP. DENSO CORP. IS NOT RESPONSIBLE FOR ANY DAMAGE TO PERSONS OR PROPERTY ARISING FROM THE USE OF THIS DRAWING.

ITEM	DESCRIPTION	STATUS
1	TRADEMARK	REGISTERED
2	PART NUMBER	EMBOSSED
3	MANUFACTURING DATE	EMBOSSED
4	MATERIAL ABBREVIATION	
5	SUPPLIER NUMBER	
6	MANUFACTURER'S IDENTIFICATION	
7	SERIAL NUMBER	
8	ENGINE	
9	CONNECTION	
10	OPTIONAL OIL DRAINING ON OIL PAN	
11	OPTIONAL OIL DRAINING ON OIL PAN	
12	OPTIONAL OIL DRAINING ON OIL PAN	
13	OPTIONAL OIL DRAINING ON OIL PAN	

THIS DRAWING IS THE PROPERTY OF DENSO CORP. AND IS NOT TO BE REPRODUCED OR TRANSMITTED IN ANY FORM OR BY ANY MEANS, ELECTRONIC OR MECHANICAL, INCLUDING PHOTOCOPYING, RECORDING, OR BY ANY INFORMATION STORAGE AND RETRIEVAL SYSTEM, WITHOUT PERMISSION IN WRITING FROM DENSO CORP. DENSO CORP. IS NOT RESPONSIBLE FOR ANY DAMAGE TO PERSONS OR PROPERTY ARISING FROM THE USE OF THIS DRAWING.

ITEM	DESCRIPTION	STATUS
1	TRADEMARK	REGISTERED
2	PART NUMBER	EMBOSSED
3	MANUFACTURING DATE	EMBOSSED
4	MATERIAL ABBREVIATION	
5	SUPPLIER NUMBER	
6	MANUFACTURER'S IDENTIFICATION	
7	SERIAL NUMBER	
8	ENGINE	
9	CONNECTION	
10	OPTIONAL OIL DRAINING ON OIL PAN	
11	OPTIONAL OIL DRAINING ON OIL PAN	
12	OPTIONAL OIL DRAINING ON OIL PAN	
13	OPTIONAL OIL DRAINING ON OIL PAN	

THIS DRAWING IS THE PROPERTY OF DENSO CORP. AND IS NOT TO BE REPRODUCED OR TRANSMITTED IN ANY FORM OR BY ANY MEANS, ELECTRONIC OR MECHANICAL, INCLUDING PHOTOCOPYING, RECORDING, OR BY ANY INFORMATION STORAGE AND RETRIEVAL SYSTEM, WITHOUT PERMISSION IN WRITING FROM DENSO CORP. DENSO CORP. IS NOT RESPONSIBLE FOR ANY DAMAGE TO PERSONS OR PROPERTY ARISING FROM THE USE OF THIS DRAWING.

ITEM	DESCRIPTION	STATUS
1	TRADEMARK	REGISTERED
2	PART NUMBER	EMBOSSED
3	MANUFACTURING DATE	EMBOSSED
4	MATERIAL ABBREVIATION	
5	SUPPLIER NUMBER	
6	MANUFACTURER'S IDENTIFICATION	
7	SERIAL NUMBER	
8	ENGINE	
9	CONNECTION	
10	OPTIONAL OIL DRAINING ON OIL PAN	
11	OPTIONAL OIL DRAINING ON OIL PAN	
12	OPTIONAL OIL DRAINING ON OIL PAN	
13	OPTIONAL OIL DRAINING ON OIL PAN	

**DRAWING - ENGINE COMPLETE**

TRUCK MODEL: 1500  
 CHASSIS CODE: L5  
 CHASSIS: 1500  
 TORQUE REF: 15  
 SHEET NUMBER: 1  
 PART NUMBER: 1.3 PA00AAQ45667  
 BEAM REV: A0