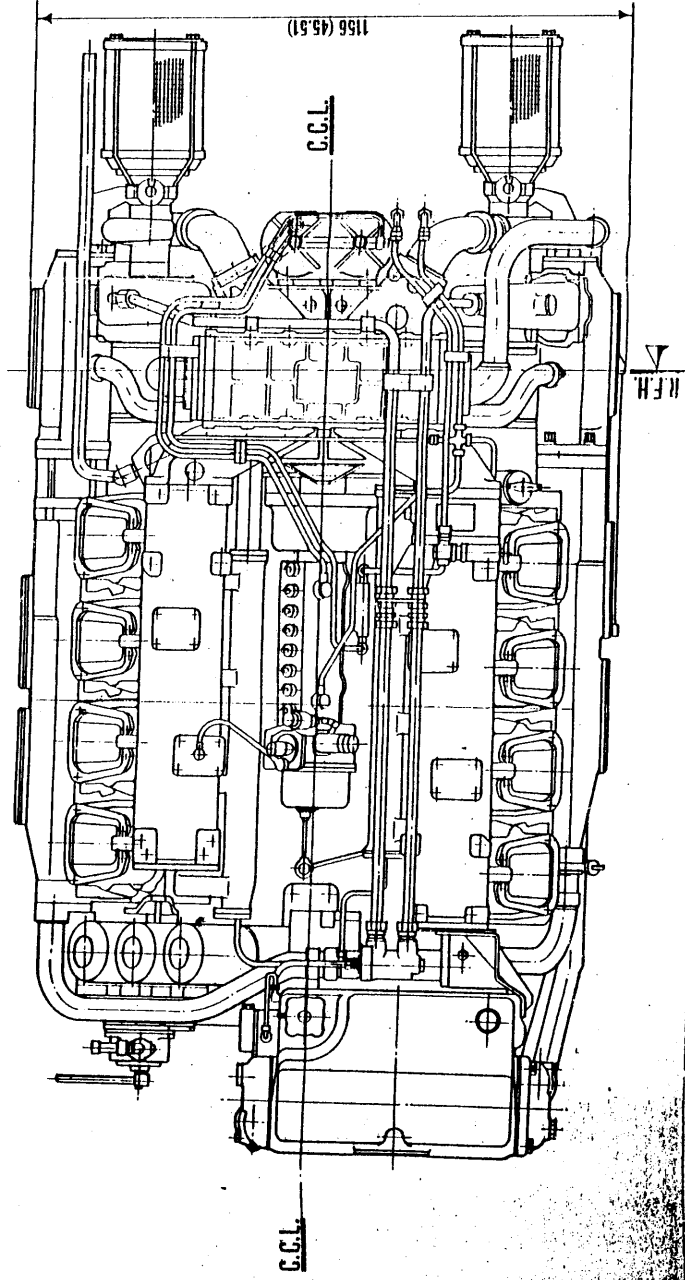
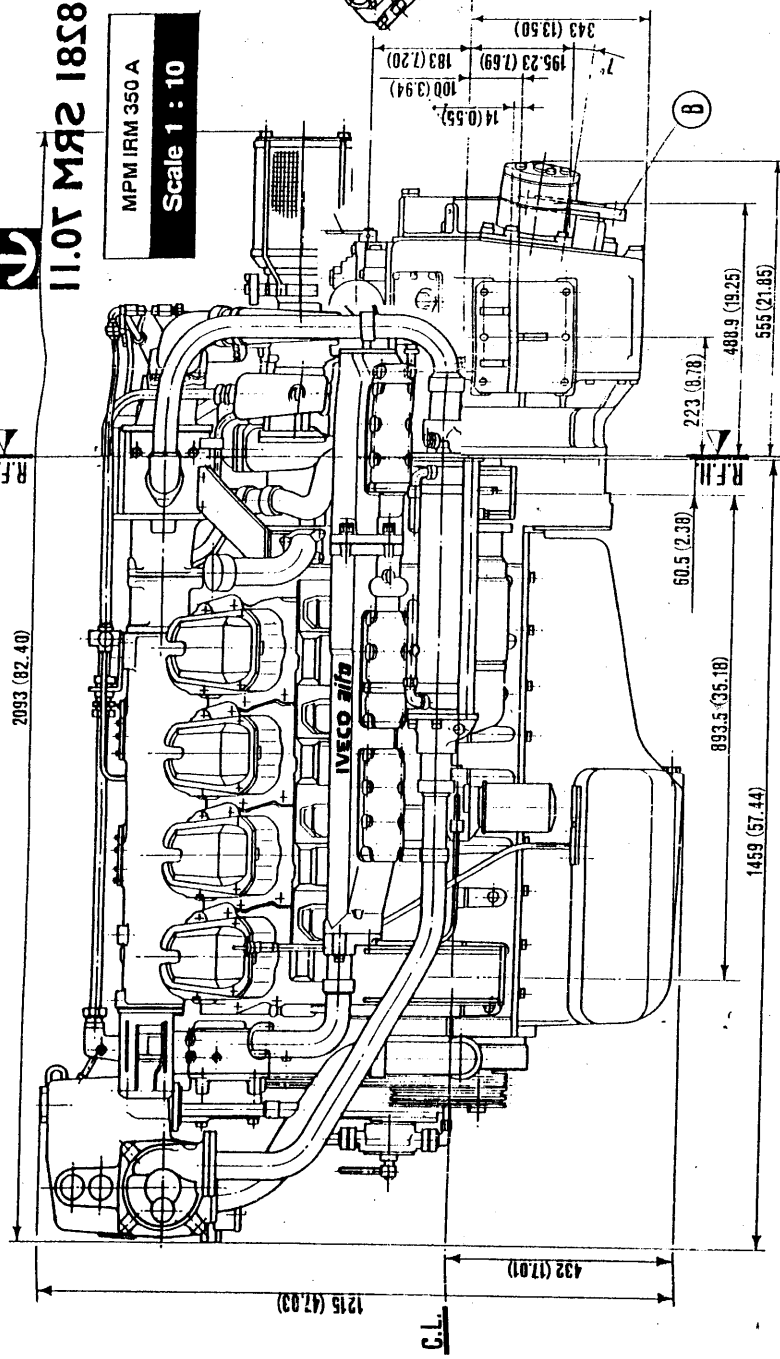
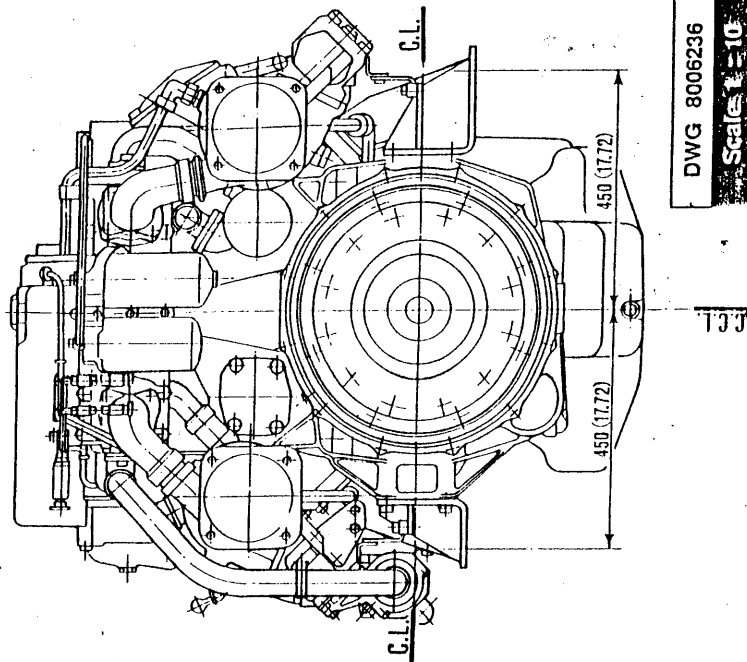
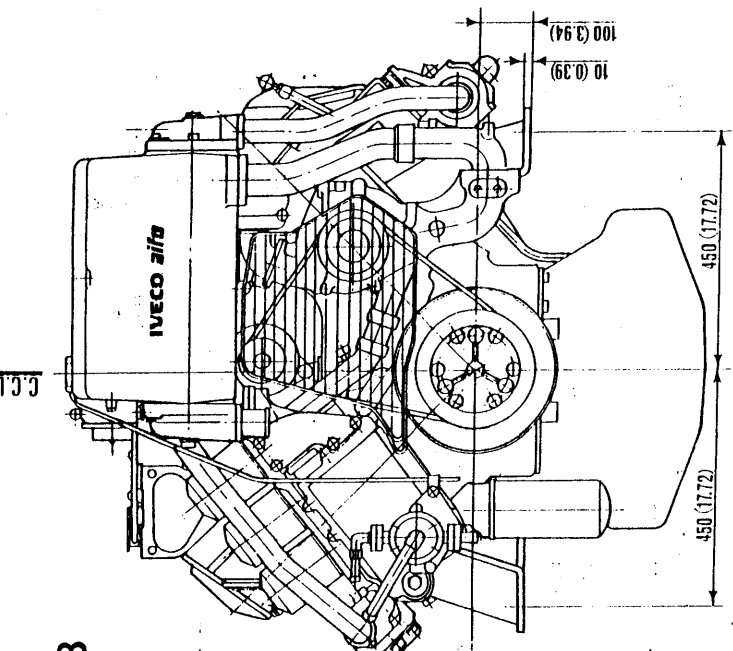




# 11.0T MR2 1858

MPM IRM 350 A

Scale 1 : 10



DWG 8006236  
Scale 1 : 10